

DLR4

4" Recessed LED Downlight

Product Description

The DLR4 from NICOR is a 4" recessed LED downlight that is ideal for both retrofit and new construction alike. Redesigned to boost energy efficiency, the LED light engine draws only 10 watts while improving light output to over 600 lumens. The enriched 90+ CRI provides superior color quality, along with an R9 greater than 50. Not only is the light quality better, but this design improvement meets new industry standards like Tilt 24 and CEC.

Construction

- Spun aluminum trim routes heat away from electrical components
- Low profile, integrated driver, allows for use in shallow housings

Optical System

- Polystyrene diffuser and reflector cone create a uniform light distribution that reduces glare without sacrificing lumen output

Electrical

- Utilizes high performing LEDs with greater than 90 CRI and an R9 greater than 50
- Dimmable to 10% with most standard triac dimmers
- Operating temperature rating of 0°F to 120°F (-18°C to 49°C)
- Input voltage of 120V
- Lifetime rated for greater than 53,000 hours
- LM-79, LM-80 testing performed in accordance with IESNA standards.

Finish

- Exterior white powder coat finish, with interior high reflective finish

Installation

- Compatible with most 4" recessed housings
- Quick and easy installation with a screw-in Edison base (GU24 socket string available) and friction clip system

Warranty

- 5-year limited system warranty standard

PRODUCT INFORMATION

LED Lifetime (Hrs):	53,000
Input Voltage (V)	120V
Power Draw (W)	10W
Fixture Height	2.6in (66mm)
Trim Width:	4.92in (125mm)

Ordering Information

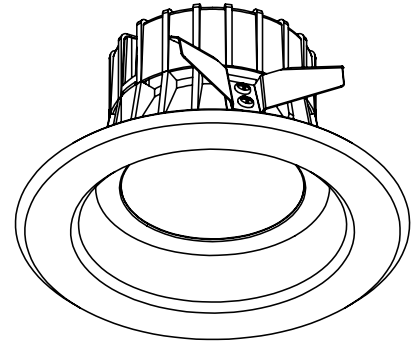
Example: DLR4-3006-120-3K-WH

Series	Version	Voltage	CCT's	Trim Color
DLR4	3006 (v3 600Lm)	120	3K (3000)	WH (white)

Project

Date

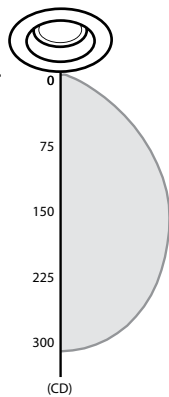
Type



Photometric Data

3000K DLR4 600lm*

Luminaire	3000K
Input Voltage (VAC)	120
System Level Power (W)	10
Delivered Lumens (Lm)	621
System Efficacy (Lm/W)	62.1
Correlated Color Temp (K)	3142
Color Rendering Index (CRI)	91



Zonal Lumen Summary**

Zone	Lumens	% of Luminaire
0-30	236	38.61%
0-40	361	59.04%
0-60	541	88.66%
0-90	621	100.00%
90-180	0	0.00%
0-180	621	100.00%

*Integrating sphere data

**Type C Goniophotometer data