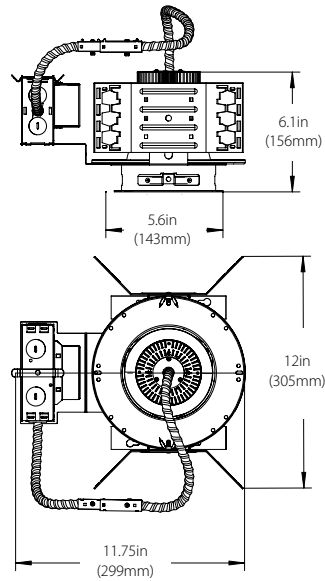


4" LED ARCHITECTURAL DOWNLIGHT

DIMENSIONS



NICOR's architectural LED downlights are energy efficient and environmentally responsible, allowing you to light larger commercial spaces with peace of mind. The ADL offers high efficacy and exceptional color rendering, making this luminaire an ideal choice in places such as corridors, conference rooms, lobbies, and large offices. The ADL is available in 3500K, 4000K, and 5000K color temperatures with lumen options to fit any project

FEATURES

- Aluminum heat sink routes heat away from electrical components
- Highly reflective optical cone and textured diffuser create a uniform distribution of light
- Utilizes high performing LED's with 88 CRI
- Driver delivers full-range dimming from 0 - 10V
- External driver ensures steady performance and long lifespan
- Operating temperature rating of 0°F to 120°F (-18°C to 49°C)
- 120-277V Input voltage
- TM-21 Projected L70(10K) life greater than 50,000 hrs
- LM-80 testing performed in accordance to IESNA standards
- Butterfly-style architectural mounting brackets accept C-channel or flat bar hangers as well as 1/2" EMT for tie-down to ceiling grid
- 5 year warranty

PRODUCT SPECIFICATIONS

Series	Input Voltage (VAC)	Delivered Lumens (Lm)	System Level Power (W)	System Efficacy (Lm/W)	Color Rendering Index (CRI)
ADL4-1021-UNV-40K	120-277	1461	21	70	88

ORDERING INFORMATION

Example: ADL4-1015-UNV-40K

Series	Watts	Voltage	CCT's
ADL4	1015 (15W   1018 Lumens)	UNV	35K (3500)*
	1021 (21W   1461 Lumens)		40K (4000)
	1028 (28W   1866 Lumens)		50K (5000)*

\* only available as special order. Contact NICOR for more info.

