

# ADL4

## 4" Architectural LED Downlight

### Product Description

NICOR's architectural LED downlights are energy efficient and environmentally responsible, allowing you to light larger commercial spaces with peace of mind. The ADL offers high efficacy and exceptional color rendering, making this luminaire an ideal choice in places such as corridors, conference rooms, lobbies, and large offices. The ADL is available in a range of color temperatures with lumen options to fit any project.

#### Construction

- Durable galvanized steel frame, with architectural mounting bracket
- Aluminum heat sink routes heat away from electrical components

#### Optical System

- Highly reflective optical cone and textured diffuser create a uniform distribution of light

#### Electrical

- Utilizes high performing LED's with 88 CRI
- Driver delivers full-range dimming from 0 - 10VDC
- External driver ensures steady performance and long lifespan
- Operating temperature rating of 0°F to 120°F (-18°C to 49°C)
- 120-277V Input voltage
- TM-21 Projected L70(10K) life > 50,000 hrs
- LM-80 testing performed in accordance to IESNA standards

#### Finish

- Satin reflector with white trim ring

#### Installation

- Butterfly-style architectural mounting brackets accept C-channel or flat bar hangers as well as 1/2" EMT for tie-down to ceiling grid

#### Warranty

- 5-year limited system warranty standard
- Warranty does not cover failure due to over-voltage event (surge) - for installations where surge is a concern, NICOR recommends additional surge protection at the fixture or panel

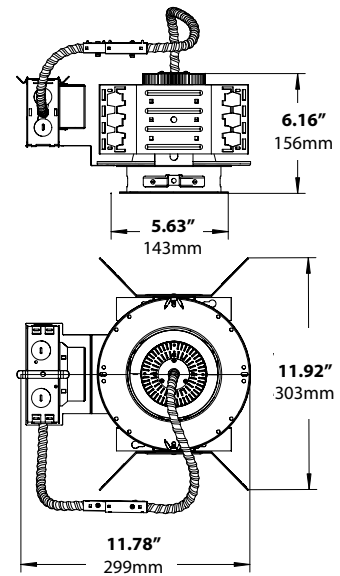
### PRODUCT INFORMATION

LED Lifetime:	>50,000 Hours
Input Voltage :	120-277VAC
Fixture Height:	6.16" (156mm)
Length:	11.92" (303mm)
Width:	11.78" (299mm)
Trim Width:	5.63" (143mm)

Project

Catalog

Type



### Ordering Information

Example: ADL4-1015-UNV-40K

Series	Watts	Voltage	CCT's
ADL4	1015 (15W   1018 Lumens)	UNV (120-277V)	35K (3500)*
	1021 (21W   1461 Lumens)		40K (4000)
	1028 (28W   1866 Lumens)		50K (5000)*

\* Only available as special order. Contact NICOR for more info.

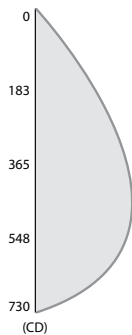
# Photometric Data

## ADL4-1015-UNV-40K

Luminaire	4000K
Input Voltage (VAC)	120-277
System Level Power (W)	15
Delivered Lumens (Lm)	1018
System Efficacy (Lm/W)	68
Correlated Color Temp (K)	4085
Color Rendering Index (CRI)	88

### Zonal Lumen Summary

Zone	Lumens	% of Luminaire
0-30	468	46%
0-40	682	67%
0-60	916	90%
0-90	1018	100%
90-180	0	0%
0-180	1018	100%

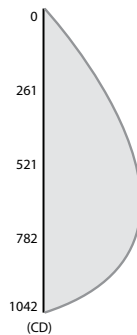


## ADL4-1021-UNV-40K

Luminaire	4000K
Input Voltage (VAC)	120-277
System Level Power (W)	21
Delivered Lumens (Lm)	1461
System Efficacy (Lm/W)	70
Correlated Color Temp (K)	4055
Color Rendering Index (CRI)	88

### Zonal Lumen Summary

Zone	Lumens	% of Luminaire
0-30	672	46%
0-40	979	67%
0-60	1315	90%
0-90	1461	100%
90-180	0	0%
0-180	1461	100%



## ADL4-1028-UNV-40K

Luminaire	4000K
Input Voltage (VAC)	120-277
System Level Power (W)	28
Delivered Lumens (Lm)	1866
System Efficacy (Lm/W)	67
Correlated Color Temp (K)	4035
Color Rendering Index (CRI)	88

### Zonal Lumen Summary

Zone	Lumens	% of Luminaire
0-30	858	46%
0-40	1250	67%
0-60	1679	90%
0-90	1866	100%
90-180	0	0%
0-180	1866	100%

