

DLR3

3" LED Retrofit Light Kit

Product Description

Part of NICOR's D-Series, the DLR3 combines price, performance and design all in one package. Compatible with most 3" recessed housings, this luminaire delivers incredible color accuracy with 90+ CRI and flexible dimming capabilities. The DLR3 is an ideal commercial, retail, institutional or residential downlight choice for retrofit or new construction. Redesigned to boost energy efficiency, the LED light engine draws only 8 watts while improving light output to over 600 lumens. The enriched 90+ CRI provides superior color quality, along with an R9 greater than 50. Not only is the light quality better, but this design improvement meets new industry standards like Title 24 and CEC.

Construction

- Spun aluminum trim routes heat away from electrical components

Optical System

- Polystyrene diffuser and reflector cone create a uniform light distribution that reduces glare without sacrificing lumen output

Electrical

- Utilizes high performing LEDs with greater than 90 CRI and an R9 greater than 50
- Dimmable to 10% with most standard triac dimmers
- Operating temperature rating of 0°F to 120°F (-18°C to 49°C)
- Input voltage of 120V
- Lifetime rated for greater than 50,000 hours
- LM-79, LM-80 testing performed in accordance with IESNA standards

Finish

- Exterior white powder coat finish, with interior high reflective finish
- Also available in Black, Oil-Rubbed Bronze and Nickel

Installation

- Compatible with most 3" recessed housings
- Quick and easy installation with a snap-in IDEAL connector and friction clip mounting system

Warranty

- 5-year limited system warranty standard

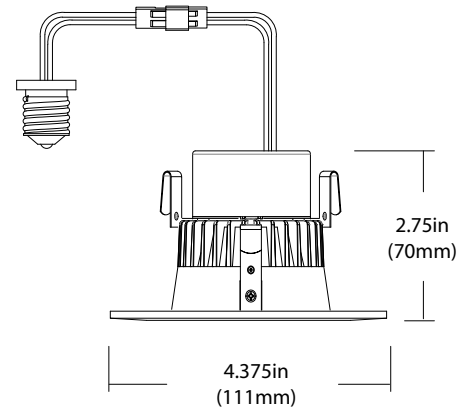
PRODUCT INFORMATION

LED Lifetime:	50,000 Hours
Input Voltage:	120V
Power Draw:	8W
Fixture Height:	2.75in. (70mm)
Trim Width:	4.375in. (111mm)

Project _____

Date _____

Type _____



Ordering Information

Example: DLR3-10-120-3K-WH-BF

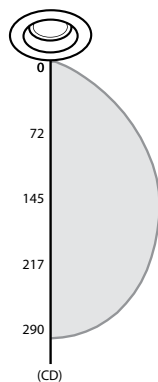
Series	Version	Voltage	CCT's	Trim Color
DLR3	10 (v 1.0)	120 (V)	2K (2700)	WH-BF (white baffle)
			3K (3000)	BK-BF (black baffle)*
			4K (4000)	NK-BF (nickel baffle)*
				OB-BF (oil-rubbed bronze baffle)*

*Only available as special order. Contact NICOR for more info.

Photometric Data

DLR3 2700K

Luminaire	2700K
Input Voltage (VAC)	120
System Level Power (W)	8
Delivered Lumens (Lm)	558
System Efficacy (Lm/W)	72
Correlated Color Temp (K)	2689
Color Rendering Index (CRI)	>90

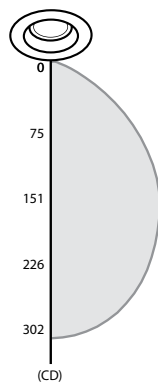


Zonal Lumen Summary

Zone	Lumens	% of Luminaire
0-30	217	36%
0-40	343	57%
0-60	539	89%
0-90	558	100%
90-180	0	0.00%
0-180	558	100%

DLR3 3000K

Luminaire	3000K
Input Voltage (VAC)	120
System Level Power (W)	8
Delivered Lumens (Lm)	629
System Efficacy (Lm/W)	78
Correlated Color Temp (K)	2984
Color Rendering Index (CRI)	>90

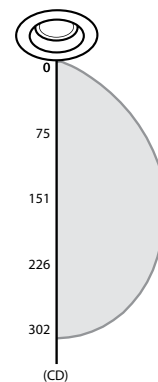


Zonal Lumen Summary

Zone	Lumens	% of Luminaire
0-30	226	36%
0-40	357	57%
0-60	561	89%
0-90	629	100%
90-180	0	0.00%
0-180	629	100%

DLR3 4000K

Luminaire	4000K
Input Voltage (VAC)	120
System Level Power (W)	8
Delivered Lumens (Lm)	629
System Efficacy (Lm/W)	78
Correlated Color Temp (K)	3991
Color Rendering Index (CRI)	>90



Zonal Lumen Summary

Zone	Lumens	% of Luminaire
0-30	226	36%
0-40	357	57%
0-60	561	89%
0-90	629	100%
90-180	0	0.00%
0-180	629	100%