

# DQR3

## 3" Square LED Downlight

### Product Description

The DQR3 from NICOR® is a square trim 3" recessed LED downlight that is ideal for both retrofit and new construction alike.

Everything you love about the DLR Series is now available with the aesthetics of a square trim. Designed to boost energy efficiency, the LED light engine draws only 8 watts while achieving a light output to over 540 lumens. The enriched 90+ CRI light output provides superior color quality. Not only is the light quality better, but this design improvement meets new industry standards like Title 24.

#### Construction

- Die cast aluminum trim routes heat away from electrical components
- Low profile, integrated driver, allows for use in shallow housings

#### Optical System

- Polystyrene diffuser and reflector cone create a uniform light distribution that reduces glare without sacrificing lumen output.

#### Electrical

- Utilizes high performing LEDs with greater than 90 CRI and an R9 greater than 50
- Dimmable to 10% with most standard dimmers
- Thermally protected, high efficiency driver standard
- Operating temperature rating of 0°F to 120°F (-18°C – 49°C)
- Input voltage of 120V
- L70 rated for greater than 50,000 hours
- LM-79, LM-80 testing performed in accordance with IESNA standards.

#### Finish

- Exterior white powder coat finish, with interior high reflective finish

#### Installation

- Compatible with most 3" recessed housings
- Quick and easy installation with a screw-in Edison base (GU24 socket string available) and friction clip mounting system

#### Warranty

- 5-year limited system warranty standard

### PRODUCT INFORMATION

LED Lifetime:	50,000 Hours
Input Voltage:	120V
Power Draw:	8W
Fixture Height:	2.5 in. (64mm)
Trim Width:	4.375in. x 4.375in. (111mm x 111mm)

### Ordering Information

Example: DQR3-10-120-30K-WH-BF

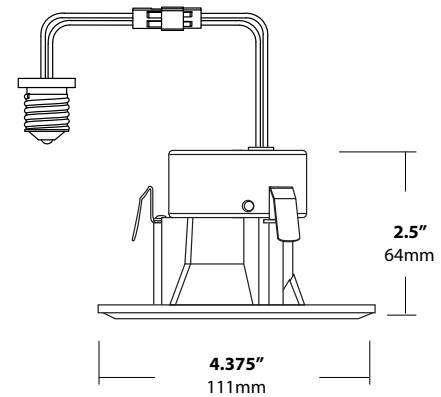
Series	Version	Voltage	CCT's	Trim
DQR3	10 (v1.0)	120 (V)	2K (2700)	BK-BF (black-baffle)*
			3K (3000)	NK-BF (nickel-baffle)*
			4K (4000)	OB-BF (oil-rubbed bronze-baffle)*
			5K (5000)	WH-BF (white baffle)

\*only available as special order. Contact NICOR for more info.

Project

Catalog

Type

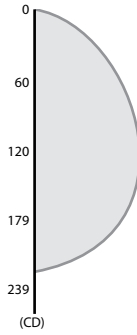


# Photometric Data

## DQR3 2700K



Luminaire	2700K
Input Voltage (VAC)	120
System Level Power (W)	8
Delivered Lumens (Lm)	480
System Efficacy (Lm/W)	60
Correlated Color Temp (K)	2689
Color Rendering Index (CRI)	>90



### Zonal Lumen Summary

Zone	Lumens	% of Luminaire
0-30	178	37%
0-40	280	58%
0-60	433	90%
0-90	480	100%
90-180	0	0%
0-180	480	100%

## DQR3 3000K



Luminaire	3000K
Input Voltage (VAC)	120
System Level Power (W)	8
Delivered Lumens (Lm)	500
System Efficacy (Lm/W)	63
Correlated Color Temp (K)	2984
Color Rendering Index (CRI)	>90



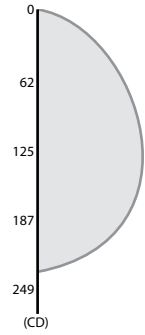
### Zonal Lumen Summary

Zone	Lumens	% of Luminaire
0-30	185	37%
0-40	292	58%
0-60	451	90%
0-90	500	100%
90-180	0	0%
0-180	500	100%

## DQR3 4000K



Luminaire	4000K
Input Voltage (VAC)	120
System Level Power (W)	8
Delivered Lumens (Lm)	500
System Efficacy (Lm/W)	63
Correlated Color Temp (K)	3991
Color Rendering Index (CRI)	>90



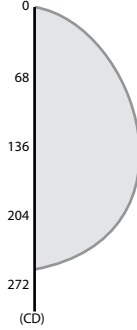
### Zonal Lumen Summary

Zone	Lumens	% of Luminaire
0-30	185	37%
0-40	292	58%
0-60	451	90%
0-90	500	100%
90-180	0	0%
0-180	500	100%

## DQR3 5000K



Luminaire	5000K
Input Voltage (VAC)	120
System Level Power (W)	8
Delivered Lumens (Lm)	546
System Efficacy (Lm/W)	68
Correlated Color Temp (K)	5011
Color Rendering Index (CRI)	>90



### Zonal Lumen Summary

Zone	Lumens	% of Luminaire
0-30	202	37%
0-40	319	58%
0-60	492	90%
0-90	546	100%
90-180	0	0%
0-180	546	100%