

DQR5

5" Square LED Downlight

Product Description

The DQR5 from NICOR® is a square trim 5" recessed LED downlight that is ideal for both retrofit and new construction alike.

Everything you love about the DLR Series is now available with the aesthetics of a square trim. Designed to boost energy efficiency, the LED light engine draws only 16 watts while achieving a light output to over 1300 lumens. The enriched 90+ CRI light output provides superior color quality. Not only is the light quality better, but this design improvement meets new industry standards like Title 24.

Construction

- Die cast aluminum trim routes heat away from electrical components
- Low profile, integrated driver, allows for use in shallow housings

Optical System

- Polystyrene diffuser and reflector cone create a uniform light distribution that reduces glare without sacrificing lumen output

Electrical

- Utilizes high performing LEDs with greater than 90 CRI and an R9 greater than 50
- Dimmable to 10% with most standard dimmers
- Thermally protected, high efficiency driver standard
- Operating temperature rating of 0°F to 120°F (-18°C – 49°C)
- Input voltage of 120V
- L70 rated for greater than 50,000 hours
- LM-79, LM-80 testing performed in accordance with IESNA standards

Finish

- Exterior white powder coat finish, with interior high reflective finish

Installation

- Compatible with most 5" recessed housings
- Quick and easy installation with a screw-in Edison base (GU24 socket string available) and friction clip mounting system

Warranty

- 5-year limited system warranty standard

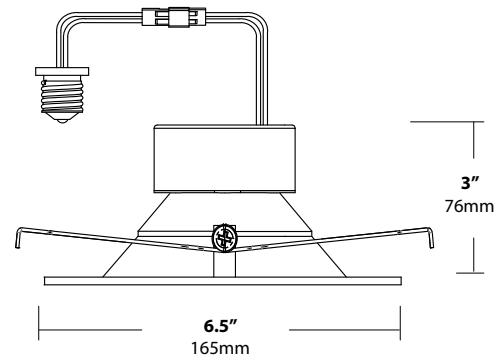
PRODUCT INFORMATION

LED Lifetime:	50,000 Hours
Input Voltage:	120V
Power Draw:	16W
Fixture Height:	3 in. (76mm)
Trim Width:	6.5 in. x 6.5 in. (165mm x 165mm)

Project

Catalog

Type



Ordering Information

Example: DQR5-10-120-3K-WH-BF

Series	Version	Voltage	CCT's	Trim
DQR5	10 (v1.0)	120(V)	2K (2700)	WH-BF (white baffle)
			3K (3000)	BK-BF (black baffle)*
			4K (4000)	NK-BF (nickel baffle)*
			5K (5000)	OB-BF (oil-rubbed bronze baffle)*

*only available as special order. Contact NICOR for more info.

NICOR® | **LED**

Photometric Data

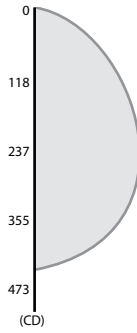
DQR5 2700K



Luminaire	2700K
Input Voltage (VAC)	120
System Level Power (W)	16
Delivered Lumens (Lm)	1103
System Efficacy (Lm/W)	69
Correlated Color Temp (K)	2689
Color Rendering Index (CRI)	>90

Zonal Lumen Summary

Zone	Lumens	% of Luminaire
0-30	359	33%
0-40	577	52%
0-60	961	87%
0-90	1103	100%
90-180	0	0%
0-180	1103	100%



DQR5 3000K



Luminaire	3000K
Input Voltage (VAC)	120
System Level Power (W)	16
Delivered Lumens (Lm)	1191
System Efficacy (Lm/W)	74
Correlated Color Temp (K)	2984
Color Rendering Index (CRI)	>90

Zonal Lumen Summary

Zone	Lumens	% of Luminaire
0-30	388	33%
0-40	623	52%
0-60	1038	87%
0-90	1191	100%
90-180	0	0%
0-180	1191	100%



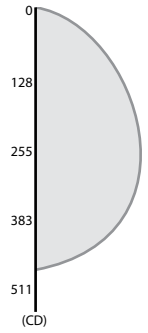
DQR5 4000K



Luminaire	4000K
Input Voltage (VAC)	120
System Level Power (W)	16
Delivered Lumens (Lm)	1191
System Efficacy (Lm/W)	74
Correlated Color Temp (K)	1191
Color Rendering Index (CRI)	>90

Zonal Lumen Summary

Zone	Lumens	% of Luminaire
0-30	388	33%
0-40	623	52%
0-60	1038	87%
0-90	1191	100%
90-180	0	0%
0-180	1191	100%



DQR5 5000K



Luminaire	5000K
Input Voltage (VAC)	120
System Level Power (W)	16
Delivered Lumens (Lm)	1302
System Efficacy (Lm/W)	81
Correlated Color Temp (K)	5011
Color Rendering Index (CRI)	>90

Zonal Lumen Summary

Zone	Lumens	% of Luminaire
0-30	424	33%
0-40	681	52%
0-60	1134	87%
0-90	1302	100%
90-180	0	0%
0-180	1302	100%

