

DQR6

6" LED Square Retrofit Kit

Product Description

Part of the D-Series, the DQR6 takes everything you love about NICOR's recessed downlighting family with the added design aesthetic of a square trim. Compatible with most 6" recessed housings, this luminaire delivers incredible color accuracy with 90+ CRI and flexible dimming capabilities. Designed to boost energy efficiency, the LED light engine draws only 14.5 watts while achieving a light output to over 1200 lumens. The DQR6 is an ideal commercial, retail, institutional or residential downlight choice for retrofit or new construction. From LED color rendering and trim finishes to fixture performance, the design style blends nicely with other fixtures in this design series.

Construction

- Die cast aluminum trim routes heat away from electrical components
- Low profile, integrated driver, allows for use in shallow housings

Optical System

- Polystyrene diffuser and reflector cone create a uniform light distribution that reduces glare without sacrificing lumen output

Electrical

- Utilizes high performing LEDs with greater than 90 CRI and an R9 greater than 50
- Dimmable to 10% with most standard triac dimmers
- Thermally protected, high efficiency driver standard
- Operating temperature rating of 0°F to 120°F (-18°C – 49°C)
- Input voltage of 120V
- L70 rated for greater than 50,000 hours
- LM-79, LM-80 testing performed in accordance with IESNA standards

Finish

- Exterior white powder coat finish, with interior high reflective finish
- Also available in Black, Oil-Rubbed Bronze and Nickel

Installation

- Compatible with most 6" recessed housings
- Quick and easy installation with a screw-in Edison base (GU24 socket string available) and torsion spring mounting system

Warranty

- 5-year limited system warranty standard

PRODUCT INFORMATION

LED Lifetime:	50,000 Hours
Input Voltage:	120V
Power Draw:	14.5W
Fixture Height:	3in. (76mm)
Trim Width:	7.25in. x 7.25 in. (184mm x 184mm)

Ordering Information

Example: DQR6-10-120-3K-WH-BF

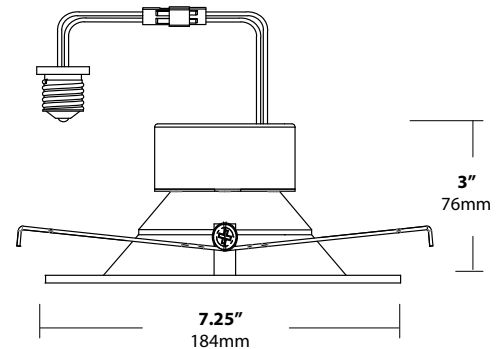
Series	Version	Voltage	CCT's	Trim
DQR6	10 (v1.0)	120(V)	2K (2700)	WH-BF (white baffle)
			3K (3000)	BK-BF (black baffle)*
			4K (4000)	NK-BF (nickel baffle)*
				OB-BF (oil-rubbed bronze baffle)*

*only available as special order. Contact NICOR for more info.

Project

Catalog

Type

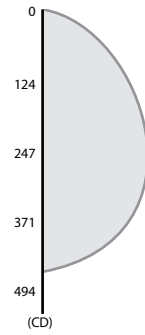


Photometric Data

DQR6 2700K



Luminaire	2700K
Input Voltage (VAC)	120
System Level Power (W)	14.5
Delivered Lumens (Lm)	1189
System Efficacy (Lm/W)	82
Correlated Color Temp (K)	2689
Color Rendering Index (CRI)	>90



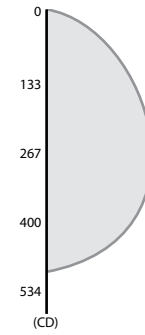
Zonal Lumen Summary

Zone	Lumens	% of Luminaire
0-30	375	32%
0-40	603	51%
0-60	1017	86%
0-90	1189	100%
90-180	0	0%
0-180	1189	100%

DQR6 3000K



Luminaire	3000K
Input Voltage (VAC)	120
System Level Power (W)	14.5
Delivered Lumens (Lm)	1283
System Efficacy (Lm/W)	88
Correlated Color Temp (K)	2984
Color Rendering Index (CRI)	>90



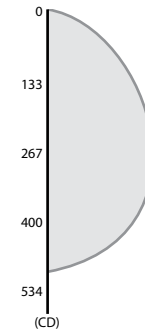
Zonal Lumen Summary

Zone	Lumens	% of Luminaire
0-30	405	32%
0-40	651	51%
0-60	1098	86%
0-90	1283	100%
90-180	0	0%
0-180	1283	100%

DQR6 4000K



Luminaire	4000K
Input Voltage (VAC)	120
System Level Power (W)	14.5
Delivered Lumens (Lm)	1283
System Efficacy (Lm/W)	88
Correlated Color Temp (K)	3991
Color Rendering Index (CRI)	>90



Zonal Lumen Summary

Zone	Lumens	% of Luminaire
0-30	405	32%
0-40	651	51%
0-60	1098	86%
0-90	1283	100%
90-180	0	0%
0-180	1283	100%