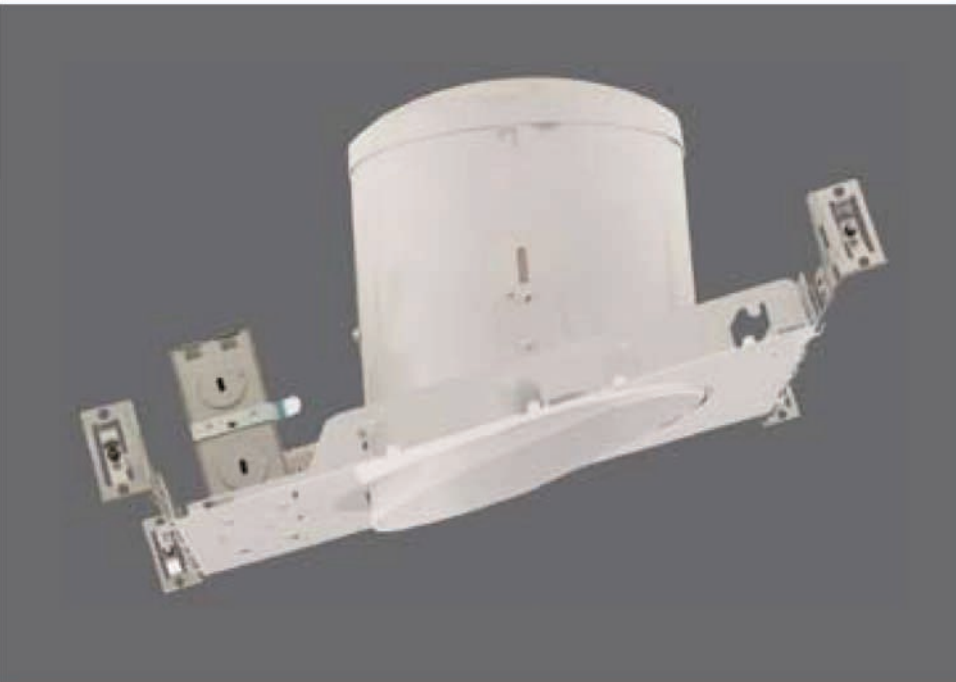
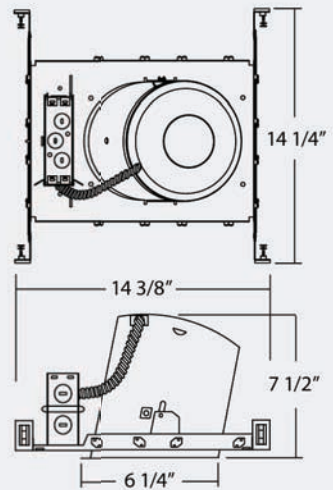


Project:	Comments:	Type:
Catalog No:	Prepared by:	Date:

17020A Slope Ceiling Housing



INSULATION MUST BE KEPT A MINIMUM OF 3" FROM HOUSING



DESCRIPTION

Suitable for new construction in residential and commercial applications.

Designed for slope ceiling installation for ceilings from 2/12 to 6/12 pitch. The socket pivots to allow the lamp to be aimed straight down regardless of ceiling pitch.

NON-IC. Insulation must be kept a minimum of 3" from housing.

HOUSING

Washington State Energy Code approved to meet restricted airflow requirements.

Airtight housing limits the exchange of air between ceiling plenum and heated/cooled areas.

Integral thermal protector guards against improper lamping and misuse of insulation materials.

Adjustable socket bracket assures proper and consistent lamp positioning.

7 1/2" height allows use in 2" x 8" joist construction.

PLASTER FRAME

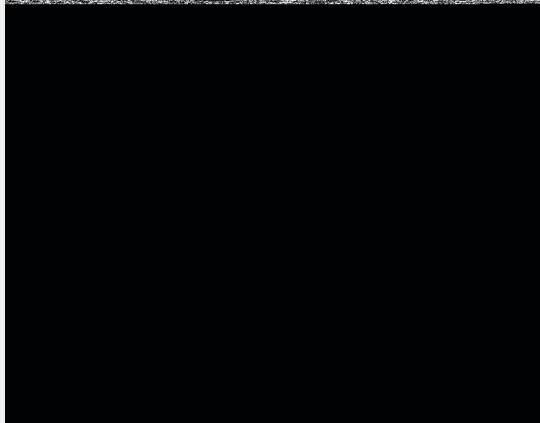
Housing is secured to plaster frame with screws and can be removed for access to junction box.

Housing adjusts from 1/2" to 1 1/2" to accommodate ceiling thickness.

JUNCTION BOX

Listed for through branch circuit wiring and includes several 3/4" knockouts. Four pry-outs with integral strain relief simplify Romex installation.

Supplied with three IDEAL® push-in wire connectors.



LISTINGS

UL damp location

UL feed-through

CUL

