

DCR4

4" LED Recessed Downlight

Product Description

The DCR4 from NICOR is a 4" recessed LED downlight with plastic housing and trim that is ideal for both retrofit and new construction. Redesigned to boost energy efficiency, the enriched 90+ CRI provides superior color quality, along with an R9 greater than 50. Not only is the light quality better, but this design improvement meets industry standards, including Title 24 and CEC.

Construction

- Polymer trims prevent dents and scratches
- Low profile, integrated driver, allows for use in shallow housings

Optical System

- Polystyrene diffuser creates uniform light distribution that reduces glare without sacrificing lumen output

Electrical

- Utilizes high performing LEDs with greater than 90 CRI and an R9 greater than 50
- Dimmable to 10% with most standard TRIAC dimmers
- Operating temperature rating of 0°F to 102°F (-18°C to 40°C)
- Input voltage of 120V
- Lifetime rated for greater than 54,000 hours
- LM-79, LM-80 testing performed in accordance with IESNA standards
- Meets FCC Part 15, Subpart B, Class B standards for conducted and radiated emissions

Finish

- Matte white finish
- Available in smooth and baffle
- Available accessory trim covers in Black, Aged Copper and Nickel

Installation

- Compatible with most 4" recessed housings
- Quick and easy installation with an Ideal™ connected screw-in Edison base (GU24 socket string available) and friction clip mounting system

Warranty

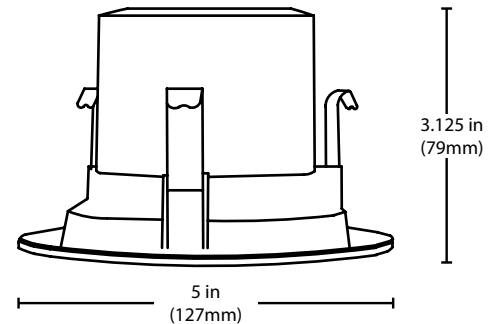
- 5-year limited system warranty standard
- Warranty does not cover product failure due to an overvoltage event (power surge)

Project

Catalog

Type

Date



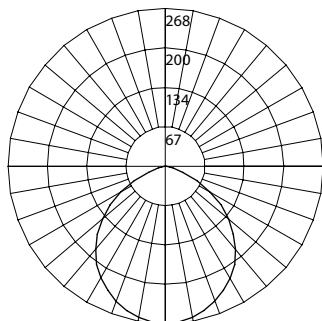
ETL CLASSIFIED



Photometric Data

DCR4 2700K

Input Voltage (VAC)	120V
System Level Power (W)	8.4
Delivered Lumens (Lm)	644
System Efficacy (Lm/W)	76.6
Correlated Color Temp (K)	2671
Color Rendering Index (CRI)	91 R9=53
Beam Angle	105°
Spacing Criteria	1.18
Spacing Criteria	1.12



Intensity Summary (Candle Power)

Angle	Mean CP
0	268
5	266
15	255
25	234
35	206
45	165
55	116
65	60
75	13
85	2
90	0

CCT Data Multiplier

DCR41061203K	1.029
DCR41061204K	1.056
DCR41061205K	1.078

Cone of Light Tabulation

Mounted height (Feet)	Footcandles Beam Center	Diameter (Feet)
4	16.7	5.0
6	7.4	7.5
8	4.2	10.3
10	2.7	12.0
12	1.9	15.0
14	1.3	17.0
16	1.0	20.0

Zonal Lumen Summary

Zone	Lumens	% of Luminaire
0-30	205	31.9%
0-40	333	51.8%
0-60	564	87.6%
0-90	644	100.0%
90-180	0	0.0%
0-180	644	100.0%

Performance Data

Model Number	Lumens	Watts	Lumens/Watt
DCR41061202K	644	8.4	76.6
DCR41061203K	663	8.4	78.9
DCR41061204K	680	8.4	80.9
DCR41061205K	694	8.4	82.6

Recommended Dimmers*

Lutron DIVA DVELV-300P
Lutron DIVA DVELV-303P
Lutron DIVA DVCL-153P
Lutron SKYLARK SELV-300P
Lutron SKYLARK SCL-153P

Housing Compatibility*

19000A-LED-ID	4" LED IC AIRTIGHT NEW CONSTRUCTION HOUSING
19001AR-LED-ID	4" LED IC AIRTIGHT REMODEL HOUSING
	MOST STANDARD 4" HOUSINGS

*Not a complete list. Check compatibility before installation.

Ordering Information

Example: DCR41061203KWH

Series	Version	Voltage	CCT's	Finish
DCR4	106 (600Lm)	120 (120V)	2K (2700 K)	WH (White)
			3K (3000 K)	WHBF (White Baffle)*
			4K (4000 K)	
			5K (5000 K)	

Specifications and dimensions subject to change without notice.

* White Baffle finish option only available for 2K and 3K downlights.

Accessories

accessories sold separately

Aged Copper Trim	DCR4-TR-AC
Black Trim	DCR4-TR-BK
Nickel Trim	DCR4-TR-NK
GU24 Socket String	GU24-IDEAL-SKT-STR

This device complies with part 15 of the FCC Rules. Operation is subject to the following two conditions: (1) This device may not cause harmful interference, and (2) this device must accept any interference received, including interference that may cause undesired operation.

NOTE: This equipment has been tested and found to comply with the limits for a Class B digital device, pursuant to part 15 of the FCC Rules. These limits are designed to provide reasonable protection against harmful interference in a residential installation. This equipment generates, uses and can radiate radio frequency energy and, if not installed and used in accordance with the instructions, may cause harmful interference to radio communications. However, there is no guarantee that interference will not occur in a particular installation. If this equipment does cause harmful interference to radio or television reception, which can be determined by turning the equipment off and on, the user is encouraged to try to correct the interference by one or more of the following measures:

- Reorient or relocate the receiving antenna.
- Increase the separation between the equipment and receiver.
- Connect the equipment into an outlet on a circuit different from that to which the receiver is connected.
- Consult the dealer or an experienced radio/TV technician for help.