

DLQ5-MA

5" Square Multi-adjustable LED Downlight | New Construction

Product Description

Part of the D-Series, the DLQ5-MA Multi-Adjustable Series is a modern, square architectural solution for lighting commercial, retail, and institutional spaces in the new construction market where high efficiency, low energy lighting is desired. This multi-adjustable downlight can be pivoted on both the X and Y axis making it a very flexible option for wall wash and sloped ceilings. For precise aiming, manual tilt adjustments range from 0°- 83° and rotation up to 353° which are easily adjusted all from below the ceiling. Utilizing high efficiency LED technology to balance color for natural white light and offering greater than 90 CRI, the high efficacy and exceptional color rendering make this luminaire an ideal choice for hotels, art galleries, photo and film studios, conference rooms, corridors, lobbies, and large offices. Constructed with a durable galvanized steel frame and adjustable hanger bars, the DLQ5 Series fits securely and installs easily into most any space.

Construction

- Die cast aluminum module routes heat away from electrical components.
- Durable galvanized steel frame, with adjustable hanger bars to fit securely into most spaces

Optical System

- Polystyrene diffuser and reflector cone create a uniform light distribution that reduces glare without sacrificing lumen output

Electrical

- Utilizes high performing LEDs with greater than 90 CRI and an R9 greater than 50
- 353°/83° range of motion allows ability to aim light exactly where it's needed
- Dimmable to 10% with most standard triac dimmers
- Thermally protected, high efficiency driver standard
- Operating temperature rating of 0°F to 120°F (-18°C – 49°C)
- Input voltage of 120V
- TM-21 Projected L70(6K) life 50,000 hours
- LM-79, LM-80 testing performed in accordance with IESNA standards

Finish

- Galvanized steel frame
- Interior high reflective finish
- White metal trim
- Also available in Black, Oil-Rubbed Bronze and Nickel

Frame Installation

- NICOR captive hanger bars allow housing to be positioned at any point within a 24" joist span
- Unique hanger bar lip design helps align can to joist
- Four double-headed captive nails provide for ease of installation
- Bars can be repositioned 90° on plaster frame without tools
- Score lines allow bars to be shortened without tools to accommodate a 12" joist span

Module and Trim Installation

- Quick and easy installation with torsion spring mounting system.

Warranty

- 5-year limited system warranty standard.

PRODUCT INFORMATION

LED Lifetime:	50,000 Hours
Input Voltage:	120V
Power Draw:	16W

Ordering Information

Includes Light Module and Frame, boxed separately

Example: DLQ5-MA-FIXT-3K-WH

Series	Complete Fixture (Downlight Module & Frame)	CCT's Trim
DLQ5-MA	FIXT	2K-WH (2700)
		3K-WH (3000)
		4K-WH (4000)

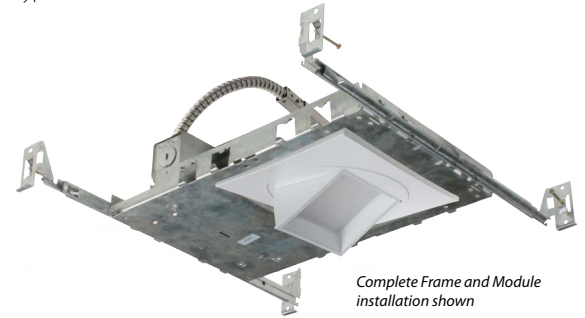
Component	Part Number	Trim	Description
DOWNLIGHT MODULE	DLQ5-MA-10-120-2K	WH(white)	2700K 5" Multi-adjustable Square Module
	DLQ5-MA-10-120-3K	BK (black)*	3000K 5" Multi-adjustable Square Module
	DLQ5-MA-10-120-4K	NK (nickel)*	4000K 5" Multi-adjustable Square Module
		OB (oil-rubbed bronze)*	
FRAME	DLQ5-10-FRAME		5" Square Frame

*only available as special order. Contact NICOR for more info.

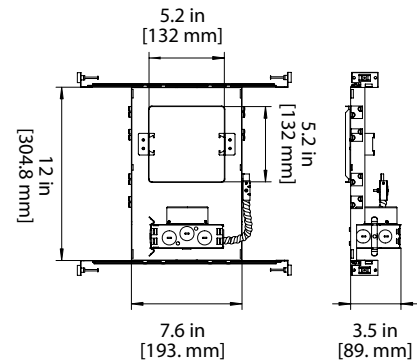
Project

Catalog

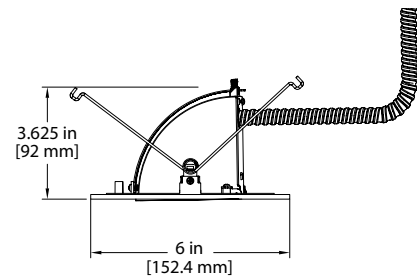
Type



Frame:



Module



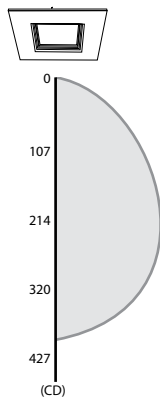
Photometric Data

DLQ5-MA 2700K

Luminaire	2700K
Input Voltage (VAC)	120
System Level Power (W)	16
Delivered Lumens (Lm)	1111
System Efficacy (Lm/W)	69
Correlated Color Temp (K)	2689
Color Rendering Index (CRI)	>90

Zonal Lumen Summary

Zone	Lumens	% of Luminaire
0-30	333	30%
0-40	544	49%
0-60	933	84%
0-90	1111	100%
90-180	0	0%
0-180	1111	100%

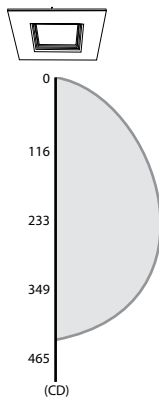


DLQ5-MA 3000K

Luminaire	3000K
Input Voltage (VAC)	120
System Level Power (W)	16
Delivered Lumens (Lm)	1212
System Efficacy (Lm/W)	76
Correlated Color Temp (K)	2984
Color Rendering Index (CRI)	>90

Zonal Lumen Summary

Zone	Lumens	% of Luminaire
0-30	364	30%
0-40	594	49%
0-60	1018	84%
0-90	1212	100%
90-180	0	0%
0-180	1212	100%



DLQ5-MA 4000K

Luminaire	4000K
Input Voltage (VAC)	120
System Level Power (W)	16
Delivered Lumens (Lm)	1212
System Efficacy (Lm/W)	76
Correlated Color Temp (K)	3991
Color Rendering Index (CRI)	>90

Zonal Lumen Summary

Zone	Lumens	% of Luminaire
0-30	364	30%
0-40	594	49%
0-60	1018	84%
0-90	1212	100%
90-180	0	0%
0-180	1212	100%

