

DLRv6

Recessed LED Downlight

Product Description

The DLRv6 is the newest generation of NICOR retrofit downlight, now in Single CCT and Selectable CCT models. The DLRv6 from NICOR is a 4" or 5"/6" recessed LED downlight that is ideal for new construction using standard housings or the patented new-construction frame, or as a retrofit into most 4", 5" or 6" housings. Improved to meet the newest certification standards, the DLR series is over 80 LPW, 90+ CRI and R9 greater than 50. The DLR Single CCT is available in 3000K. With a micro-switch on the driver cap, the DLR Select offers the ability to adjust the CCT to 2700, 3000, 3500, 4000, or 5000K. The DLRv6 system of the downlight combined with the frame provides the lowest overall system cost for energy efficient, high quality lighting.

Construction

- Powder coated steel trim routes heat away from electrical components
- Polymer driver cover for durability
- Fully captured V-springs on 6"
- Friction fit arms on 4"
- Included EVA gasket to conform to AirTight rating when used with AT housing or DLR-5-FRAME.

Optical System

- Single CCT LED used for 3000K standard model.
- Selectable models use a dual emitter array that enables CCT selection of 2700, 3000, 3500, 4000, or 5000K
- Utilizes high performing LEDs with 90+ CRI and an R9 > 50
- Polystyrene diffuser creates uniform distribution without sacrificing lumen output

Electrical

- Input voltage of 120VAC
- Dimmable to 5% with compatible leading edge (TRIAC) or trailing edge (ELV) dimmers
- Operating temperature rating of -4°F to 104°F (-20°C to 40°C)

Finish

- Exterior white powder coat finish
- Available magnetic accessory trim covers in Black, Oil-Rubbed Bronze and Nickel

Mounting and Installation

- Compatible with patented DLRv5 frame
- Compatible with most 4" or 5" & 6" recessed housings
- Quick and easy installation with an IDEAL luminaire connector and torsion spring or friction fit mounting system
- Ships with Edison base socket string (GU24 socket string available)

Listings

- LM-79, LM-80 testing performed in accordance with IESNA standards
- cETLus 1598 Classified for wet locations
- ENERGYSTAR listed
- CA Title 20 Compliant
- CA Title 24 Compliant
- Airtight when used with DLRv5 frame
- Compliant with NFPA® 70, NEC® Section 410.16 (A)(3) and 410.16 (C)(5) for closet use
- RoHS Compliant
- Meets FCC Part 15, Subpart B, Class B standards for conducted and radiated emissions
- ICES-005 Compliant
- LED lumen maintenance: L70(9k)>54,000 hrs for DLR4607 and DLR56609
- LED lumen maintenance: L70(12k)>72,000 hrs for DLR5612

Warranty

- 5-year limited system warranty
- Warranty does not cover product failure due to an overvoltage event (power surge). For installations where power surge may be possible, NICOR recommends installing additional surge protection at the electrical distribution panel

Project

Catalog

Type

Date



DLR
4" and 5/6" Recessed LED Downlight
700, 900, 1200 lumen
Single CCT and CCT selectable



U.S. patent number 10,914,441

NICOR® LED
NICOR® select

Ordering

Ordering Information

Example: DLR56609120SWH

Series	Version	Voltage	CCT's	Trim Color	Baffle
DLR4	607 (700 lm)	120 (120VAC)	5 (Select : 27/30/35/40/50K)	WH (White)	_(blank)
	DLR56				609 (900 lm)
	612 (1200lm)				

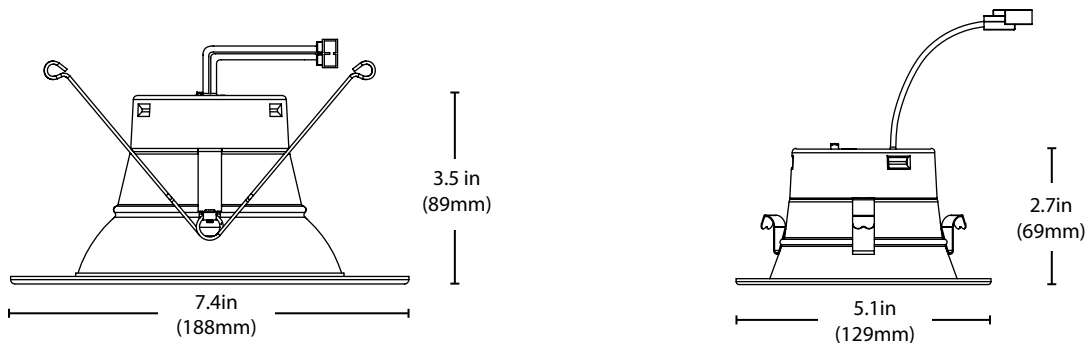
Specifications and dimensions subject to change without notice.

Accessories

accessories sold separately

DLR4		DLR56	
DLR4v5 New Construction Frame	DLR4-5-FRAME	DLR56v5 New Construction Frame	DLR56-5-FRAME
4" Oil Rubbed Bronze Trim	DLR4-6-TR-OB	6" Oil Rubbed Bronze Trim	DLR56-6-TR-OB
4" Black Trim	DLR4-6-TR-BK	6" Black Trim	DLR56-6-TR-BK
4" Nickel Trim	DLR4-6-TR-NK	6" Nickel Trim	DLR56-6-TR-NK
	GU24 Socket String	GU24-IDEAL-SKT-STR	

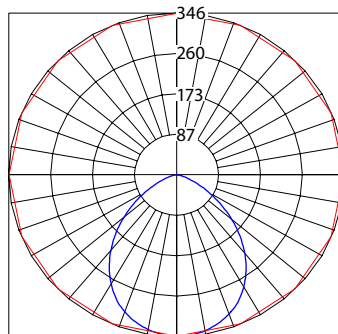
Dimensions



Photometric Data

DLR4 Single CCT and Select @ 3000K

Input Voltage (VAC)	120V
System Level Power (W)	7.9
Delivered Lumens (Lm)	735
System Efficacy (Lm/W)	93.0
Correlated Color Temp (K)	3038
Color Rendering Index (CRI)	95 R9=68
Beam Angle (°)	92.5
Spacing Criteria	1.20



Intensity Summary (Candle Power)

Angle	Mean CP
0	346
5	345
15	329
25	299
35	248
45	183
55	113
65	53
75	19
85	5
90	0

Cone of Light Tabulation

Mounted height (Feet)	Footcandles Beam Center	Diameter (Feet)
4	21.6	8.4
6	9.6	12.5
8	5.4	16.7
10	3.5	20.9
12	2.4	25.1
14	1.8	29.2
16	1.3	33.4

Zonal Lumen Summary

Zone	Lumens	% of Luminaire
0-30	262	35.7%
0-40	416	56.6%
0-60	657	89.3%
0-90	735	100%
90-180	0	0%
0-180	735	100%

Fixture tested per LM-79-08. Photometric data is of the performance of a representative fixture. Results may vary in the field.

NICOR, Inc. 2200 Midtown Place NE, Albuquerque, NM 87107 P: 800.821.6283 F: 800.892.8393
www.nicorlighting.com January 17, 2022 5:03 PM DLRv6 Select Rev - Page 2 of 3



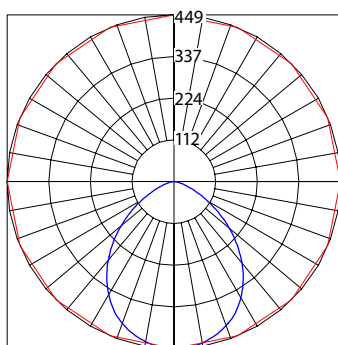
Photometric Data

DLR56 900lm Single CCT and Select @ 3000K

Input Voltage (VAC)	120V
System Level Power (W)	10.3
Delivered Lumens (Lm)	934
System Efficacy (Lm/W)	90.7
Correlated Color Temp (K)	2975
Color Rendering Index (CRI)	94 R9=68
Beam Angle (°)	93.7
Spacing Criteria	1.20

CCT Data Multiplier

2700K	0.983
3500K	1.010
4000K	1.030
5000K	1.027



Intensity Summary (Candle Power)

Angle	Mean CP
0	449
5	446
15	425
25	386
35	331
45	243
55	135
65	51
75	17
85	5
90	0

Cone of Light Tabulation

Mounted height (Feet)	Footcandles Beam Center	Diameter (Feet)
4	28.0	8.5
6	12.5	12.8
8	7.0	17.1
10	4.5	21.3
12	3.1	25.6
14	2.3	29.9
16	1.7	34.1

Zonal Lumen Summary

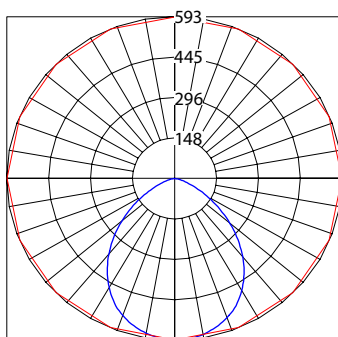
Zone	Lumens	% of Luminaire
0-30	340	36.4%
0-40	546	58.5%
0-60	856	91.6%
0-90	934	100%
90-180	0	0%
0-180	934	100%

DLR56 1200lm Single CCT and Select @ 3000K

Input Voltage (VAC)	120V
System Level Power (W)	13.8
Delivered Lumens (Lm)	1231
System Efficacy (Lm/W)	89.2
Correlated Color Temp (K)	2899
Color Rendering Index (CRI)	93 R9=65
Beam Angle (°)	93.7
Spacing Criteria	1.21

CCT Data Multiplier

2700K	0.994
3500K	1.006
4000K	1.014
5000K	1.011



Intensity Summary (Candle Power)

Angle	Mean CP
0	593
5	590
15	564
25	512
35	440
45	324
55	183
65	71
75	23
85	7
90	0

Cone of Light Tabulation

Mounted height (Feet)	Footcandles Beam Center	Diameter (Feet)
4	37.0	8.5
6	16.5	12.8
8	9.3	17.1
10	5.9	21.3
12	4.1	25.6
14	3.0	29.9
16	2.3	34.1

Zonal Lumen Summary

Zone	Lumens	% of Luminaire
0-30	449	36.5%
0-40	721	58.5%
0-60	1127	91.6%
0-90	1231	100%
90-180	0	0%
0-180	1231	100%

Performance Data

Model Number	CCT	Lumens	Watts	Lumens/Watt
DLR4607	2700	721	7.9	91.5
	3000	735	7.9	93.0
	3500	742	7.7	96.4
	4000	758	7.6	99.2
	5000	752	7.8	96.1
DLR56609	2700	918	10.3	89.1
	3000	934	10.3	91.0
	3500	943	10.0	93.9
	4000	962	10.1	95.1
	5000	959	10.2	93.9
DLR56612	2700	1224	13.9	88.2
	3000	1231	13.8	89.0
	3500	1239	13.4	92.2
	4000	1248	13.4	92.9
	5000	1245	13.8	90.4

Recommended Dimmers¹

DLR4

Lutron Caseta PD-10XN
Lutron Skylark SELV-300P
Lutron Diva DVCL-153P

DLR56

Legrand Adorne softTap ADTP703TU
Lutron Caseta PD-10XN
Lutron Skylark SELV-300P
Lutron Diva DVCL-153P

¹Not a complete list. Check compatibility before installation.

Housing Compatibility¹

DLR4-5-FRAME	DLR4v5 NEW CONSTRUCTION FRAME
19000A-LED-ID	4" LED IC AIRTIGHT NEW CONSTRUCTION HOUSING
19001AR-LED-ID	4" LED IC AIRTIGHT REMODEL HOUSING
	MOST STANDARD 4" RECESSED HOUSINGS
DLR56-5-FRAME	DLR56v5 NEW CONSTRUCTION FRAME
17014-LED-ID	6" LED IC AIRTIGHT NEW CONST. HOUSING
17014AR-LED-ID	6" LED IC AIRTIGHT REMODEL HOUSING
	MOST 5" OR 6" RECESSED HOUSINGS WITH USE OF ACCESSORY EDISON BASE

Fixture tested per LM-79-08. Photometric data is of the performance of a representative fixture. Results may vary in the field.

This device complies with part 15 of the FCC Rules. Operation is subject to the following two conditions: (1) This device may not cause harmful interference, and (2) this device must accept any interference received, including interference that may cause undesired operation.

NOTE: This equipment has been tested and found to comply with the limits for a Class B digital device, pursuant to part 15 of the FCC Rules. These limits are designed to provide reasonable protection against harmful interference in a residential installation. This equipment generates, uses and can radiate radio frequency energy and, if not installed and used in accordance with the instructions, may cause harmful interference to radio communications. However, there is no guarantee that interference will not occur in a particular installation. If this equipment does cause harmful interference to radio or television reception, which can be determined by turning the equipment off and on, the user is encouraged to try to correct the interference by one or more of the following measures:

- Reorient or relocate the receiving antenna.
- Increase the separation between the equipment and receiver.
- Connect the equipment into an outlet on a circuit different from that to which the receiver is connected.
- Consult the dealer or an experienced radio/TV technician for help.