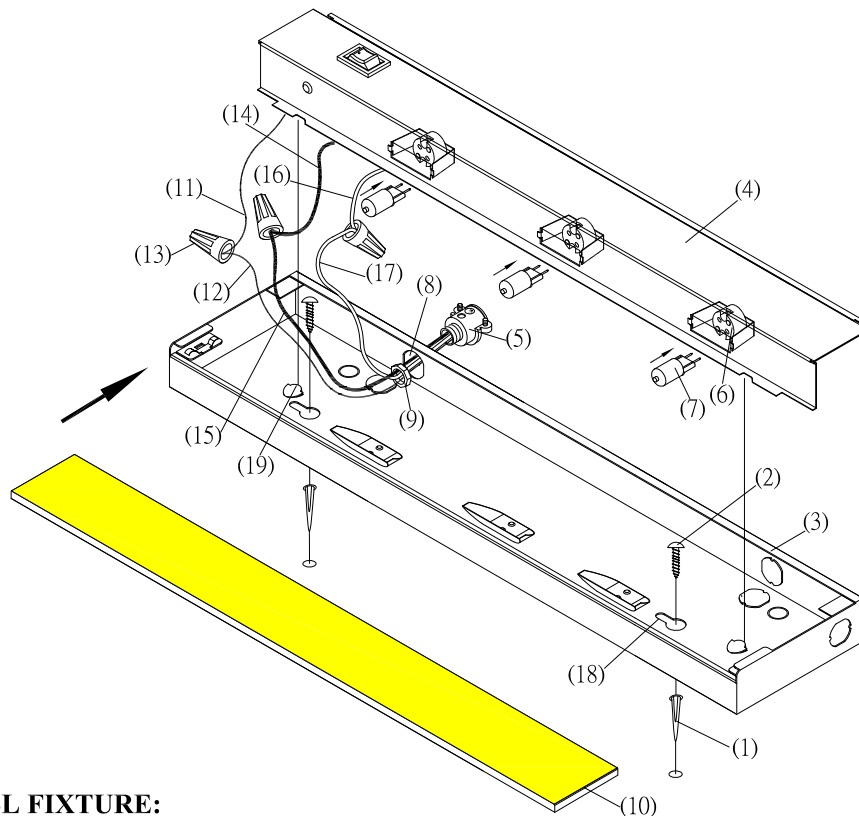


Xenon undercabinet fixtures

INSTALLATION INSTRUCTIONS URGENT: READ PRIOR TO ATTEMPTING INSTALLATION

IMPORTANT SAFETY INSTRUCTION:

This equipment is intended to be installed only by qualified personnel. The installation must be made in accordance with the current edition to the National Electric Code and all applicable state and local building codes. Improper installation may result in a fire or electrical hazard. Be sure electrical power to the circuit has been disconnected before installing this electrical system.



TO INSTALL FIXTURE:

- Remove the Glass Diffuser(10) from the fixture and remove the Wireway Channel(4) from fixture Housing(3)
- Insert Connector(5) to desired Knockout(8) in Housing(3). Knockout(8) is removed by pressing with screwdriver.
- Attach Connector(5) to Housing(3) using Hex Nut (9) provided. Insert 1/2" or 3/8" conduit (not provided) through Connector(5) and secure with fastener provided. (screw heads must always face up and view holes down.)
- Mount Housing(3) to desired surface: Feed the two Anchor Screws(2) through the narrow part of the Keyhole Slots(18). Tighten the Anchor Screws(2) into the Ceiling Anchors(1) until the fixture body is flushed with the cabinet ceiling.
- Take Wireway Channel(4) and with power off. Attached Green Supply Wire(12) to Bare Brass Wire (11) on wireway with Wire Connector(13). Attach Black Fixture Wire(14) to Black Supply Wire(15); White Fixture Wire (16) to White Supply Wire(17). **DO NOT MIX!!!** Use Wire Connectors(13) to splice connections.
- Place Wireway Channel(4) on to Housing(3) and push suitable into place fully, and located the Wireway Channel(4) with the Trough(19) then attached Wireway Channel(4) to Housing(3).
- Install the Bulb(7) into the Socket(6). Re-install Glass Diffuser(10).
Installation is completed .

BULB REPLACEMENT INSTRUCTION

- Turn the fixture off, and allow sufficient time for the unit and bulb to cool properly before handling.
- Remove the diffuser by placing the tips of your fingers on top of the glass diffuser, near the ends of the diffuser. Slide the glass diffuser toward you, until it comes free of the diffuser clips. Put the diffuser in a safe place to prevent it from getting accidentally damaged during the re-lamping.
- Grasp the bulb body, and pull the bulb straight out of the socket.
- Put the new bulb into the socket the same way the old bulb came out.
- Replace the diffuser glass by position the side edges of the diffuser under the diffuser clips. And sliding the diffuser fully into the fixture body.