

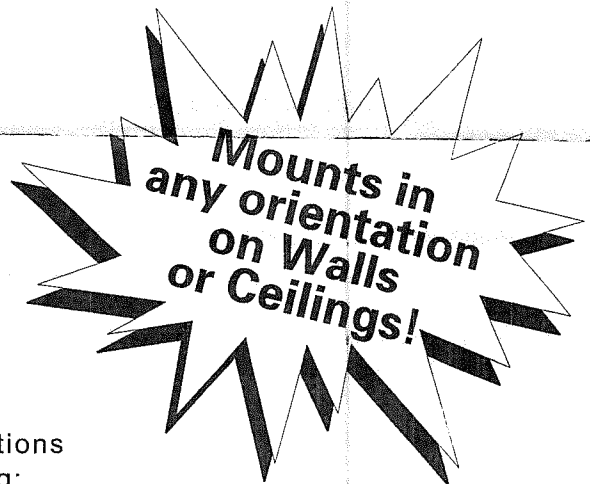
Decorative Maintenance-Free Series

IMPORTANT SAFEGUARDS

When using electrical equipment, basic safety precautions should always be followed. These include the following:

1. **READ AND FOLLOW ALL SAFETY INSTRUCTIONS**
2. Do not use outdoors.
3. Do not let power supply cords touch hot surfaces.
4. Do not mount near gas or electric heaters.
5. Use caution when handling batteries. Avoid possible shorting.
6. Equipment should be mounted in locations and at heights where it will not readily be subjected to tampering by unauthorized personnel.
7. The use of accessory equipment not recommended by the manufacturer may cause an unsafe condition.
8. Do not use this equipment for other than its intended use.

SAVE THESE INSTRUCTIONS



INSTALLATION INSTRUCTIONS

1. Turn off AC power.
2. Extend unswitched AC line to unit location.
3. Remove both lenses by pulling away from housing. Do not lift unit by lenses. (Diagram A)
4. Remove unit backplate by releasing two tabs at the bottom with a narrow screwdriver blade, and pull away. (Diagram B)
5. **For WALL OR CEILING MOUNTING**, place screws through appropriate keyhole slots and tighten. Be sure to orient the backplate, so the test switch faces the bottom, or desired direction, if ceiling mounted. **FOR MOUNTING TO A JUNCTION BOX**, complete wiring connections as per Step 6, and secure to box by removing appropriate knockouts in backplate. **FOR CONDUIT ENTRY**, secure backplate to wall or ceiling with suitable anchors. Knock out the conduit entry hole in the top of the unit housing, and install conduit with bushing.
6. Attach unswitched AC circuit wires to unit AC input wire with wirenuts. **INSULATE UNUSED LEAD.**
For 120 VAC input, follow Diagram C.
For 277 VAC input, follow Diagram D.
7. When ready to energize AC circuit, connect red battery lead to battery positive terminal, Verify battery negative terminal is connected to battery blue wire.
8. AC must be off when mating unit housing to back plate. Align AC connector over circuit board and press onto backplate until the retaining tabs snap through the housing. Reinstall both lenses by slight squeezing of the top and bottom mounting tabs.

TESTING:

To test, depress test switch. The emergency lamps will illuminate. When switch is released, lamps will go off. Allow unit to charge for 48 hours before full load testing.

IMPORTANT NOTICE:

This equipment is furnished with a low voltage disconnect circuit to prevent damage by over discharging the battery. However, if the AC supply to the unit is to be disconnected for prolonged periods of time the battery **MUST BE DISCONNECTED.**

If unit fails to perform as described, disconnect AC and battery immediately, and contact either the factory or trained service personnel for assistance.

RELAMPING:

To relamp, pull lenses from housing. Relamp only with type T-5 6V 5.4W, wedge-base lamp.

DIAGRAM A

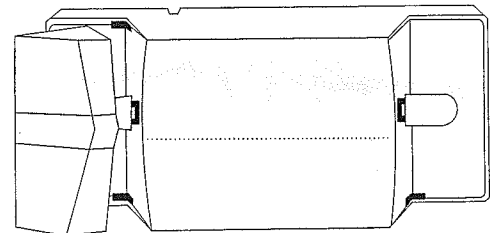


DIAGRAM B

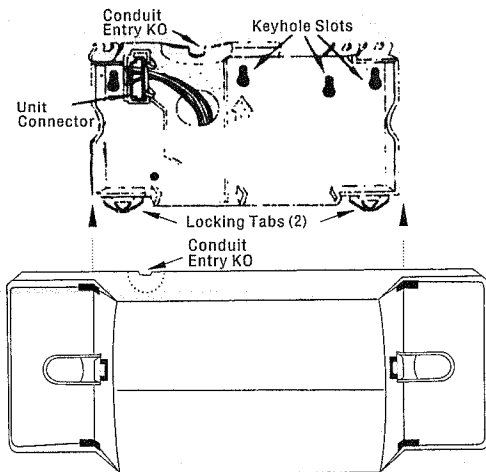


DIAGRAM C

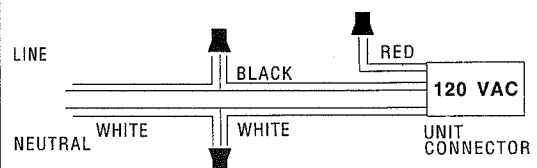


DIAGRAM D

