

# INSTALLATION INSTRUCTIONS RECESSED DOOR CHIME KIT

**CAUTION:** For your safety and proper operation of this fixture, read all of this instruction carefully before installing, and keep this instruction sheet for future usage.

## IMPORTANT SAFETY INFORMATION

### WARNING: RISK OF SHOCK

1. This fixture is to be installed by only a qualified electrician.
2. This fixture is to be used at 120V AC/60Hz power supply only.
3. This fixture is designed for use in a circuit protected by a fuse or circuit breaker.
4. Turn off the power supply at the fuse or circuit breaker box before you install this fixture.
5. Turn off the power supply again when you perform maintenance.
6. Double check all connections to be sure they are all tight and correct.
7. Operation environment: able to be installed indoors under dry and ventilated environment. It should NOT be installed under damp location or environment with high temperature. Installation of this fixture should be kept away from other electrical devices.

## INSTALLATION INSTRUCTIONS

1. Pre-install the dual voltage box (CARLON Model#SC200DV or equivalent, not provided) before installation of this device.
2. Input Voltage: 120VAC/60Hz, output voltage: 12VDC/6mA, please separate for wiring. Please refer to FIG.B for wire connection.
3. Check again and re-confirm if the wire connection is correct. Then install this device in the dual voltage box according to FIG.A.
4. Secure the faceplate on the dual voltage box with mounting screws (4) with a screwdriver.
5. Connect front & rear buttons to door chime's 4-pin jack output according to FIG.B.
6. Make sure following up all installation instructions correctly before turning on the power supply.
7. Turn off the power supply and contact the distributor for assist in any case of current leakage, unusual noise or smell, smoking during usage of this fixture.

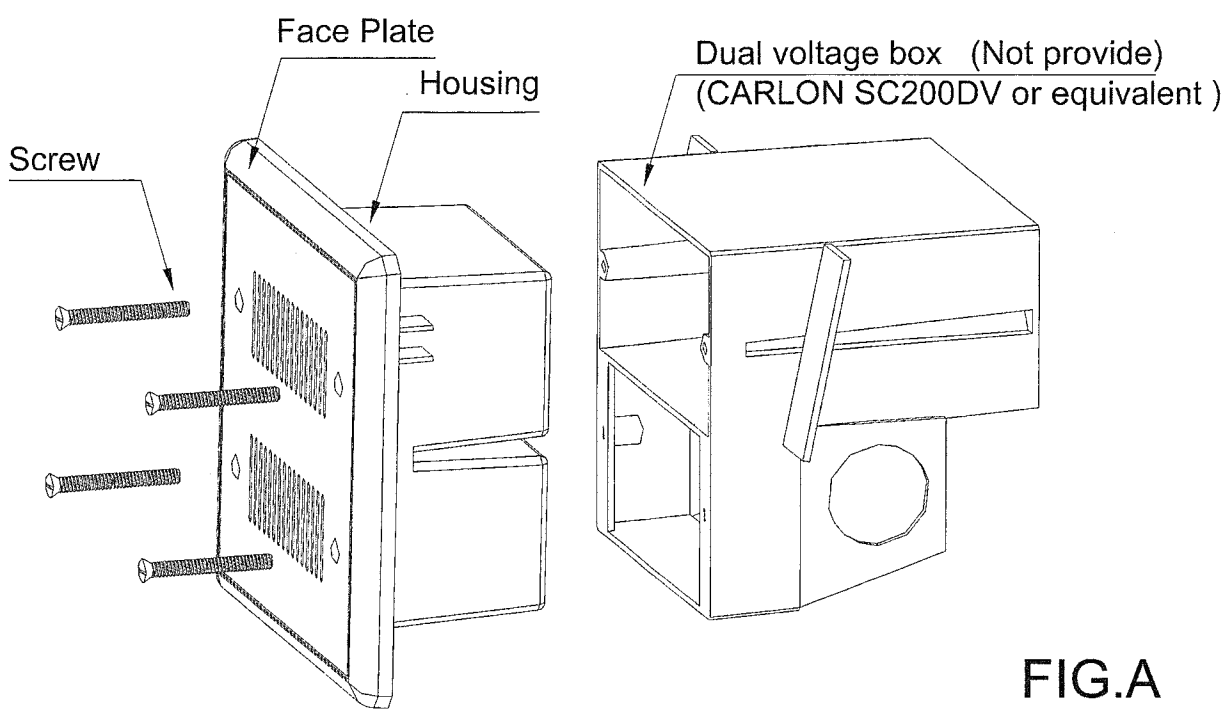
## NOTE

1. Turn off the power supply before cleaning the fixture surface.
2. Clean the oil mark or dirt away from the fixture surface with a dry duster cloth.

## MAINTENANCE

Turn off the power supply before examination and repair of the fixture.

1. In case of the door chime volume too small and with noise upon pressing the chime button, please contact the distributor for assist.
2. In case of no sound upon pressing the chime button, please examine if the wire connection is correct and firm. If there is still no sound after confirmation the above, please contact the distributor for assist.
3. Re-order the special model of chime button from the distributor in case of breakage of chime button coming with the fixture.
4. Re-order the special model of faceplate from the distributor in case of breakage of the faceplate coming with the fixture.



**FIG.A**

**A. Single chime installation**

1. Front door wiring: wire front 4-pin-jack's 1# & 2# to front button, leave 3# & 4# open.
2. Rear door wiring: wire rear 4-pin-jack's 1# & 2# to rear button, leave 3# & 4# open.

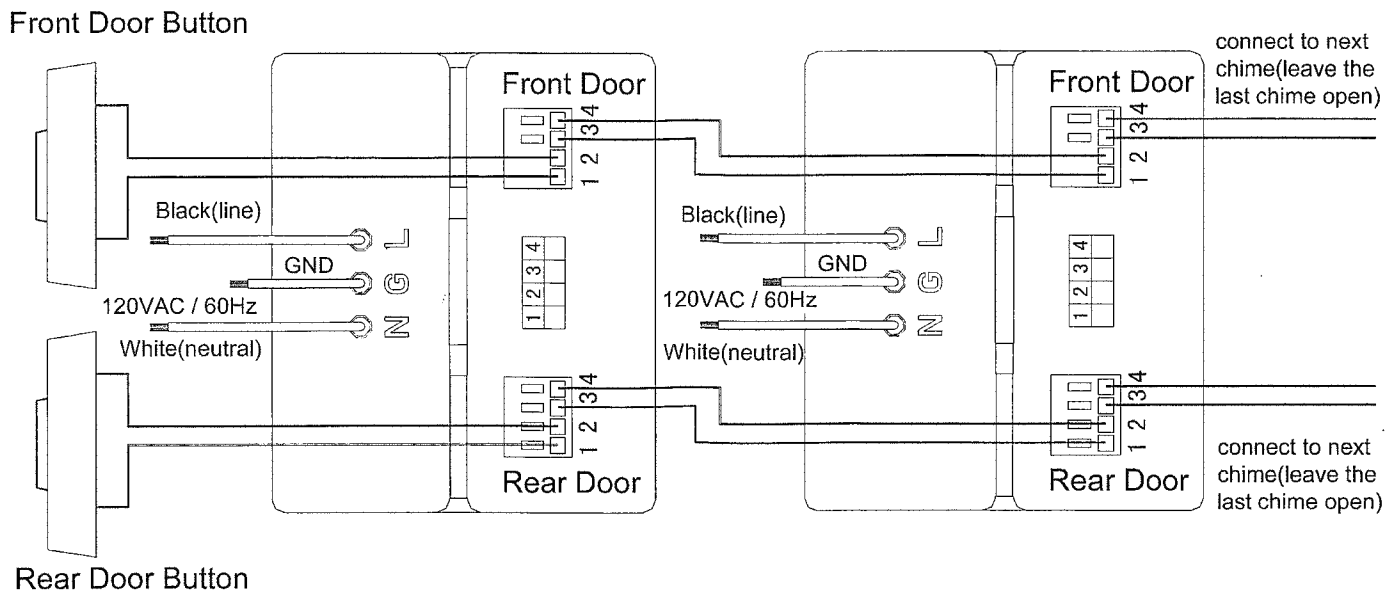
**B. Two or more chimes daisy chain connection (up to 4 chimes)**

1. Front door wiring: wire the front 4-pin-jack's 1# & 2# of the first chime to front button; wire 3# & 4# of the first chime to 1# & 2# of the 2nd chime (or next chime).
2. Rear door wiring: wire the rear 4-pin-jack's 1# & 2# of the first chime to rear button; wire 3# & 4# of the first chime to 1# & 2# of the 2nd chime (or next chime).

Note 1: 1# to 3#, 2# to 4#, no reversed wiring;

Note 2: Use 18#AWG or higher wires to AC power supply, use 22#AWG or lower wires for button & daisy chain wiring;

**Daisy Chain Wiring Diagram for 2 or More Chimes  
( Operation range up to 150 feet )**



**FIG.B**