

Deco & Stucco Buttons

Now the **PrimeChime** can complement any outdoor scheme. NICOR offers a variety of lighted deco buttons made from quality die-cast aluminium, and lighted stucco buttons. Creating that custom designer look is now easier than ever with the **PrimeChime**.

Deco-Buttons



Black

White

Brushed
Copper

Brushed
Nickel

Stucco Buttons



Antique Brass

Architectural
Bronze

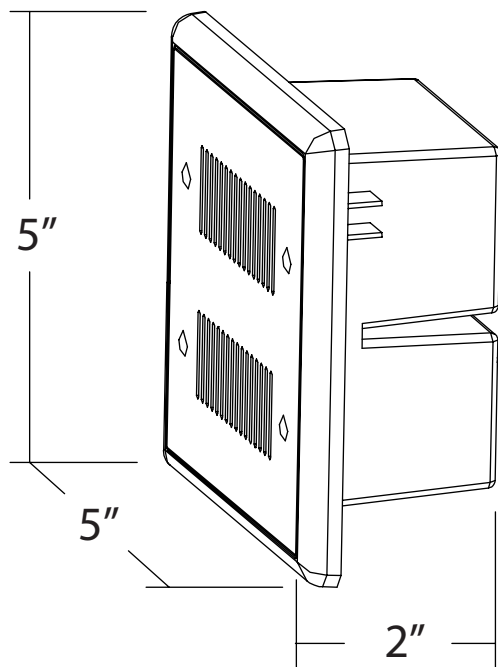


Nickel

White



Stucco Button
(shown with Polished Brass)



PrimeChime

© 2013 NICOR, Inc.
All information contained herein is subject to change
without prior notice.

Door chimes made
easy and smart.

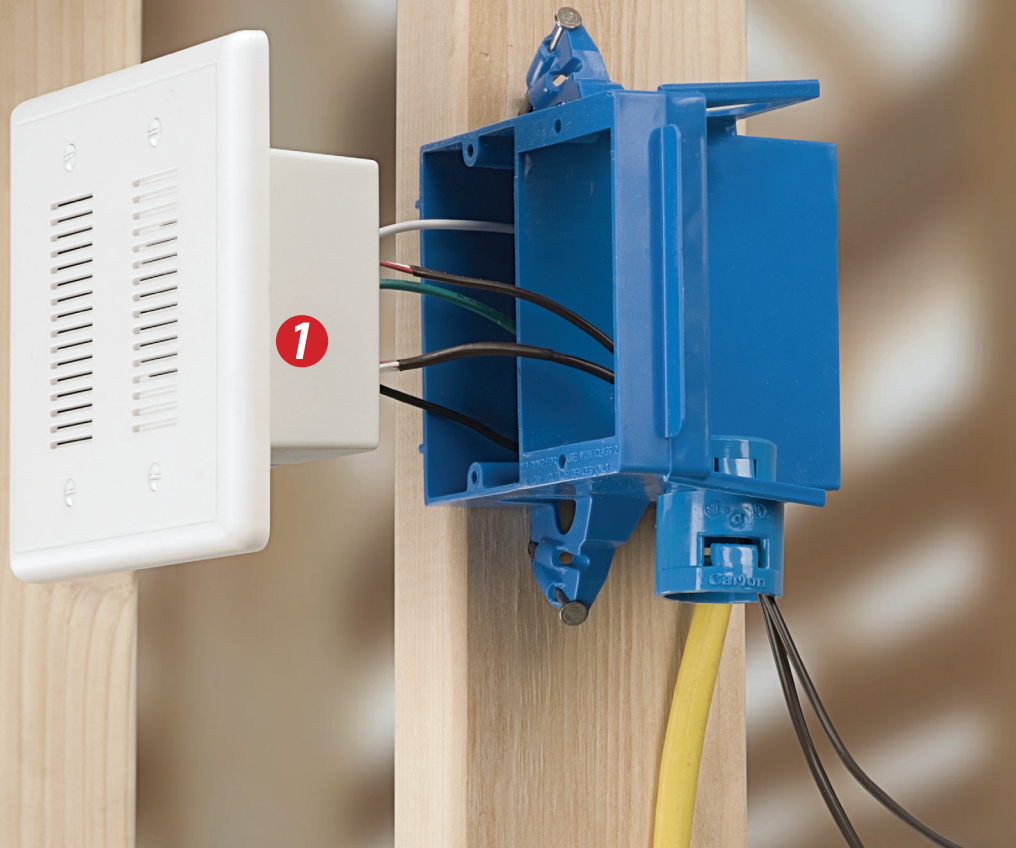


PrimeChime

The feature packed, all-inclusive
door chime. Guaranteed to impress.



PRIMECHIME 18888 & 18888SB



PRIMECHIME FEATURES

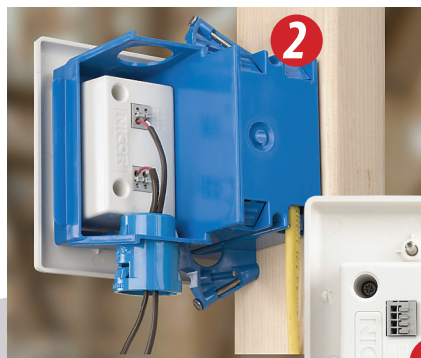
120VAC/60Hz input
Installs quickly into a standard two-gang dual-voltage wall box
Combines line voltage and low voltage in a single unit
Daisy-chain capability (up to 4 Prime Chimes)
Recessed mounting
Paintable Faceplate
Two different chime sounds for front and back doors
Two lighted rectangle doorbell buttons included
UL/CUL Listed

OPTIONS

18888 PrimeChime
18888SB PrimeChime w/ Stucco Button
ECSBAB Antique Brass Stucco Button
ECSBARCBZ Architectural Bronze Stucco Button
ECSBNK Nickel Stucco Button
ECSBPB Polished Brass Stucco Button
ECSBWH White Stucco Button
DBBK Black Deco-Button
DBWH White Deco-Button
DBNK Brushed Nickel Deco-Button
DBCO Brushed Copper Deco-Button

For the first time, everything is together in one unit!

1. PrimeChime combines line and low voltage in a single unit
2. PrimeChime installs directly into a standard dual voltage wall box
3. Easy to daisy-chain multiple chimes
4. Elegant, paintable flush-mounted cover
5. Two lighted doorbell buttons included



Virtually Eliminates Call-Backs!

NICOR
Shine Brighter™