

DLR56-SD 700 Lumen

5" & 6" Sunset Dimming LED Downlight

Product Description

The newest addition to our Downlight family, the DLR-SD creates a calming and relaxing experience. The subtle light color change while dimming that our DLR-SD provides is perfect for residential environments looking to bring the sunset experience indoors. Just like the DLR, the DLR-SD is available in two sizes, easy to install, and meets all the same specifications.

Construction

Optical System

Polystyrene diffuser and reflector cone create a uniform light distribution that reduces glare without sacrificing lumen output

Electrical

Dimmable to 10% with most standard dimmers
 Dims from 3000K to 2000K
 Thermally protected, high efficiency driver standard
 Operating temperature rating of 0°F to 120°F (-18°C to 49°C)??
 Input voltage of 120V
 Lifetime rated for greater than 60,000 hours???
 LM-79, LM-80 testing performed in accordance with IESNA standards

Finish

Available in White Baffle

Installation

Compatible with most 5" and 6" recessed housings
 Quick and easy installation with a screw-in Edison base (GU24 socket string available) and torsion spring mounting system

Warranty

5-year limited system warranty standard

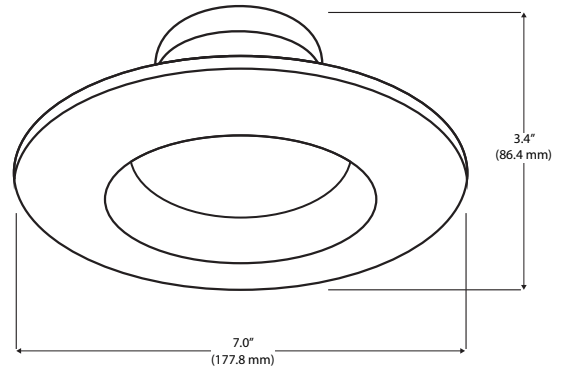
PRODUCT INFORMATION

LED Lifetime (Hrs):	>60,000
Input Voltage (V)	120V
Power Draw (W)	13W
Fixture Height	3.4" (86.4 mm)
Trim Width:	7.0" (177.8 mm)

Project _____

Date _____

Type _____



Ordering Information

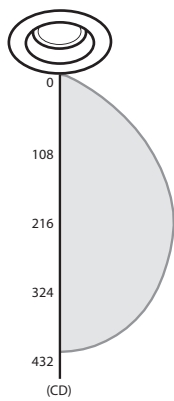
Example: DLR56-SD-1007-WH-BF

Series	Version	Trim Color
DLR56-SD	1005 (700 lm)	WH-BF (white baffle)

Photometric Data

DLR56-SD 700lm*

Luminaire	2000K-3000K
Input Voltage (VAC)	120
System Level Power (W)	13
Delivered Lumens (Lm)	841
System Efficacy (Lm/W)	65.8
Correlated Color Temp (K)	3000
Color Rendering Index (CRI)	95



Zonal Lumen Summary**

Zone	Lumens	% of Luminaire
0-30	316	38%
0-40	490	58%
0-60	657	78%
0-90	841	100%
90-180	0	0.00%
0-180	841	100%

*Integrating sphere data
 **Type C Goniophotometer data